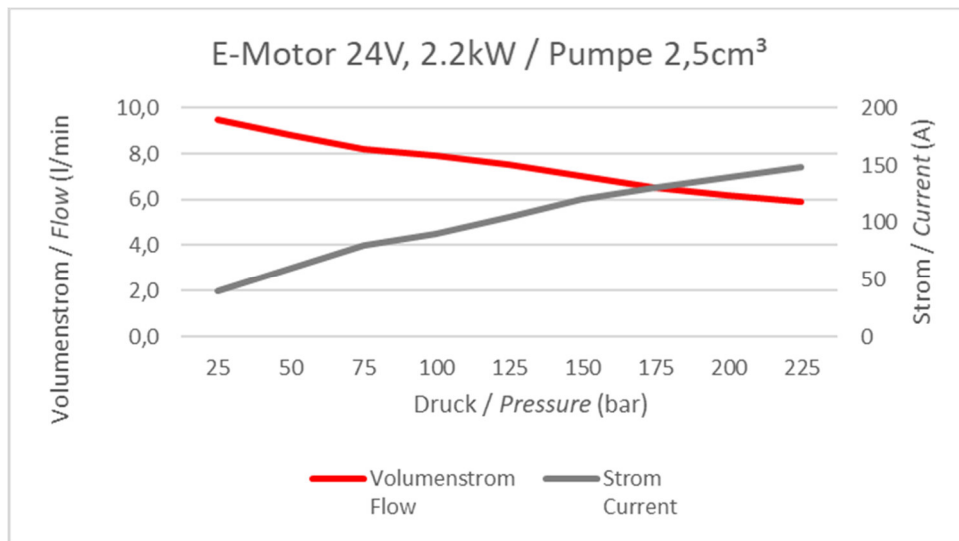
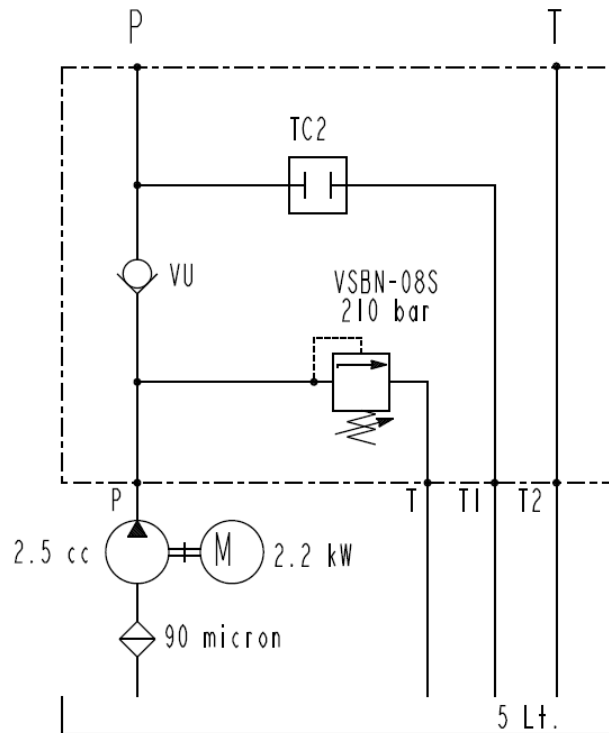


# HKK 24V 2.2 – 210 6 5

Kompaktaggregat 24V, 2.2kW, 210bar  
 Compact Powerpack 24V, 2.2kW, 210bar



## Schaltplan, Motorkennlinie / Hydraulic circuit, motor characteristic curve

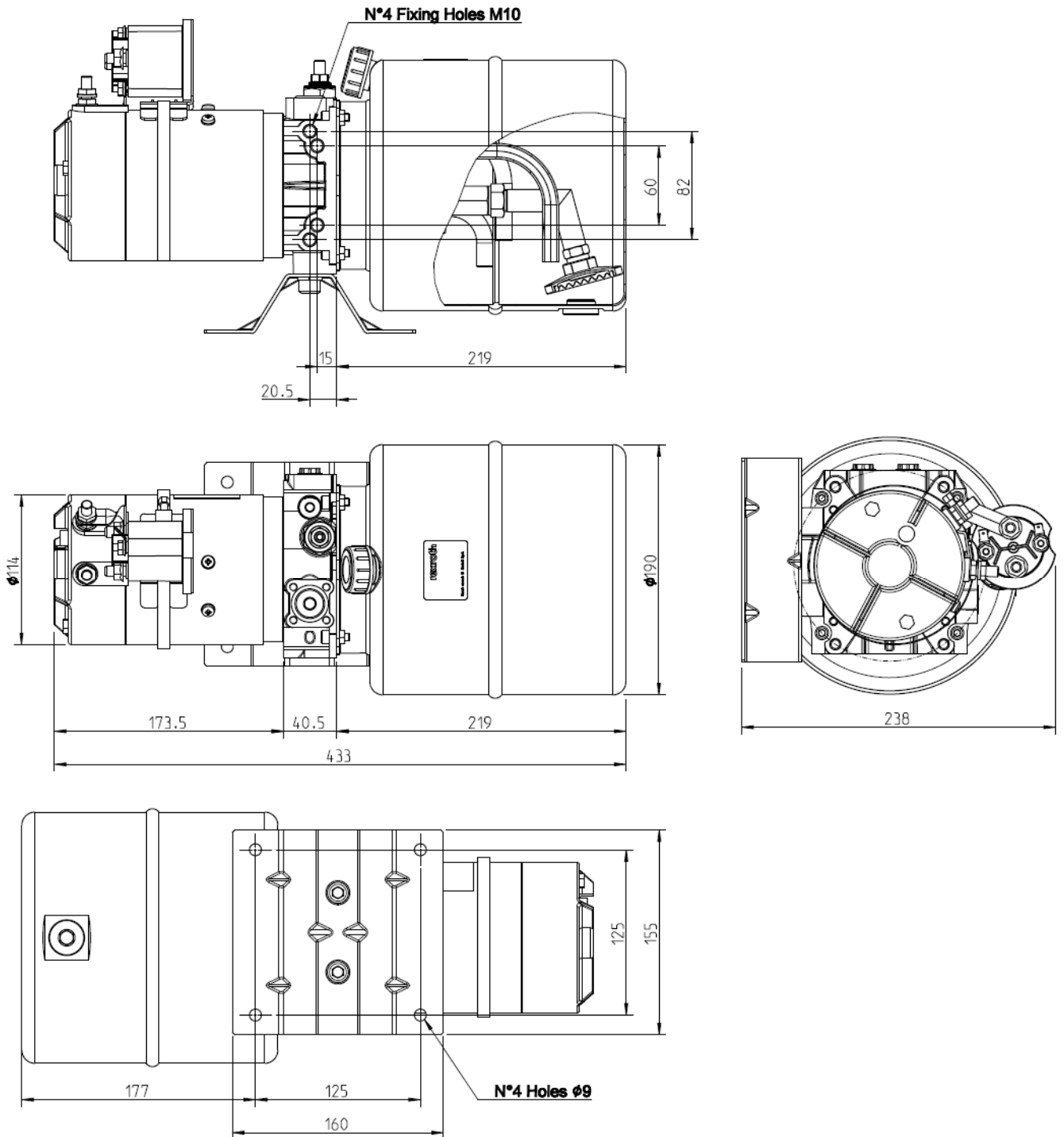


# HKK 24V 2.2 – 210 6 5

Kompaktaggregat 24V, 2.2kW, 210bar  
Compact Powerpack 24V, 2.2kW, 210bar



## Abmessungen / Dimensions

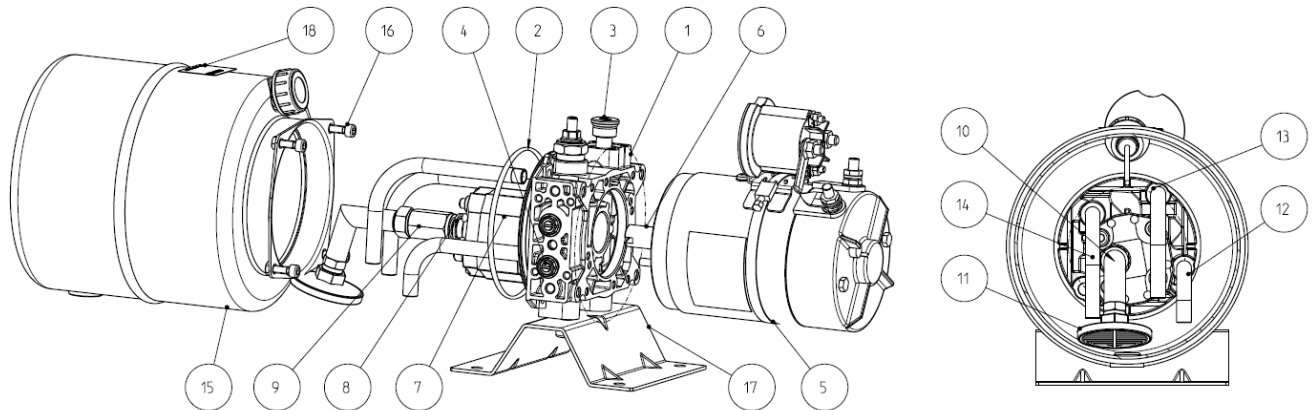


# HKK 24V 2.2 – 210 6 5

Kompaktaggregat 24V, 2.2kW, 210bar  
Compact Powerpack 24V, 2.2kW, 210bar

**HANSA FLEX**

## Stückliste / Parts list



18	NAMEPLATE TARGHETTA	CA ID CA ID	1
17	KIT-G07-SUPPORTO-X-K-VITI KIT-G07-SUPPORTO-X-K-VITI		1
16	SOCKET HEAD SCREW ZYLINDERSCHRAUBE	ISO4762-M6X16-8.8-CM& ISO4762-M6X16-8.8-CM&	4
15	OIL RESERVOIR SERBATOIO OLIO	KIT-S03V-CILINDRICO-& KIT-S03V-CILINDRICO-&	1
14	PIPE TUBO	RETURN M L190 M12X1 RETURN M L190 M12X1	1
13	PIPE TUBO	RETURN M D L190 M12X1 RETURN M D L190 M12X1	1
12	PIPE TUBO	RETURN M D L123 M12X1 RETURN M D L123 M12X1	1
11	FILTER FILTRO	FIL ASP D60 3/8F 8L & FIL ASP D60 3/8F 8L &	1
10	KIT TUBO ASP SERB.190 MONT ORIZ KIT TUBO ASP SERB.190 MONT ORIZ		1
9	VALVE BODY VENTILKOERPER	S-M/F-VUH1/VULN-G3/8 S-M/F-VUH1/VULN-G3/8	1
8	BONDED SEAL RING GUARNIZIONE USIT	17,25X23,95X2,1 G3/8& 17,25X23,95X2,1 G3/8&	1
7	KIT14 POMPA.LD 2.5CC VITI M8X80 KIT14 POMPA.LD 2.5CC VITI M8X80		1
6	CARRIER TRASCINATORE	KIT-E31-TR.-MOT-CC-D& KIT-E31-TR.-MOT-CC-D&	1
5	C103-H 24V.2200W -REL.PS.24V.150A C103-H 24V.2200W -REL.PS.24V.150A		1
4	GUARD PLUG SCHUTZSTOPFEN	P G1/4 TMGABM RED P G1/4 TMGABM RED	2
3	DUMMY PLUG FALSA CARTUCCIA	TC2 V096004 TC2 V096004	1
2	O-RING O-RING	NP00160-110.72X3.53-& NP00160-110.72X3.53-&	1
1	A12/20 K GR.1 VSBN.90-250BAR VU VE12.7 A12/20 K GR.1 VSBN.90-250BAR VU VE12.7		1
Pos.	Description		Qty